



How to use the parts lists and diagrams

The figures in this chapter show the major subassemblies in the printer and their component parts. A parts list table follows each exploded view assembly diagram. Each table lists the item number, the associated part number, and the description of each part. If a part is not listed in the table, then it is not a field replacement unit (FRU).

 **CAUTION:** Be sure to order the correct part. When looking for part numbers for electrical components, pay careful attention to the voltage that is listed in the description column. Doing so will ensure that the part number selected is for the correct model.

 **NOTE:** In this manual, the abbreviation “PCA” stands for “printed circuit-board assembly.” Components described as a PCA might consist of a single circuit board or a circuit board plus other parts, such as cables and sensors.

Integrated scanner assembly (ISA) and image scanner (IS)

Integrated scanner assembly (ISA)

Figure 2-1 Integrated scanner assembly (ISA)

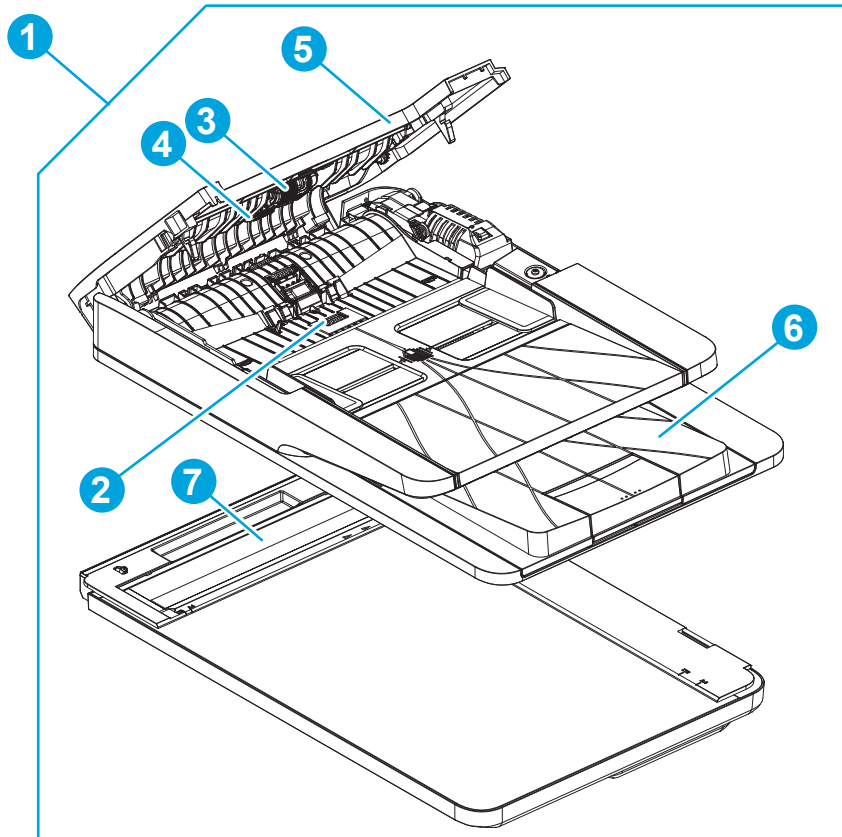


Table 2-2 Integrated scanner assembly (ISA)

Ref	Description	Part number	Qty
1	Integrated scanner assembly (document feeder with image scanner) (MFP)	G3Q59-60101	1
2	Separation pad, assembly (MFP)	G3Q59-60129	1
3	Pre-pick arm assembly (MFP)	CB780-60032	1
5	Cover, document feeder top (MFP)	G3Q59-60114	1
6	Input tray, document feeder (M132; MFP)	G3Q59-60115	1
6	Input tray, document feeder (M134; MFP)	P6N90-60102	1
7	Mylar ramp kit (MFP)	G3Q59-60120	1
NA	Core, assembly ADF (MFP)	G3Q59-60118	1
Not shown	Base, assembly (MFP)	G3Q59-60117	

Image scanner (IS)

Figure 2-2 Image scanner (IS)

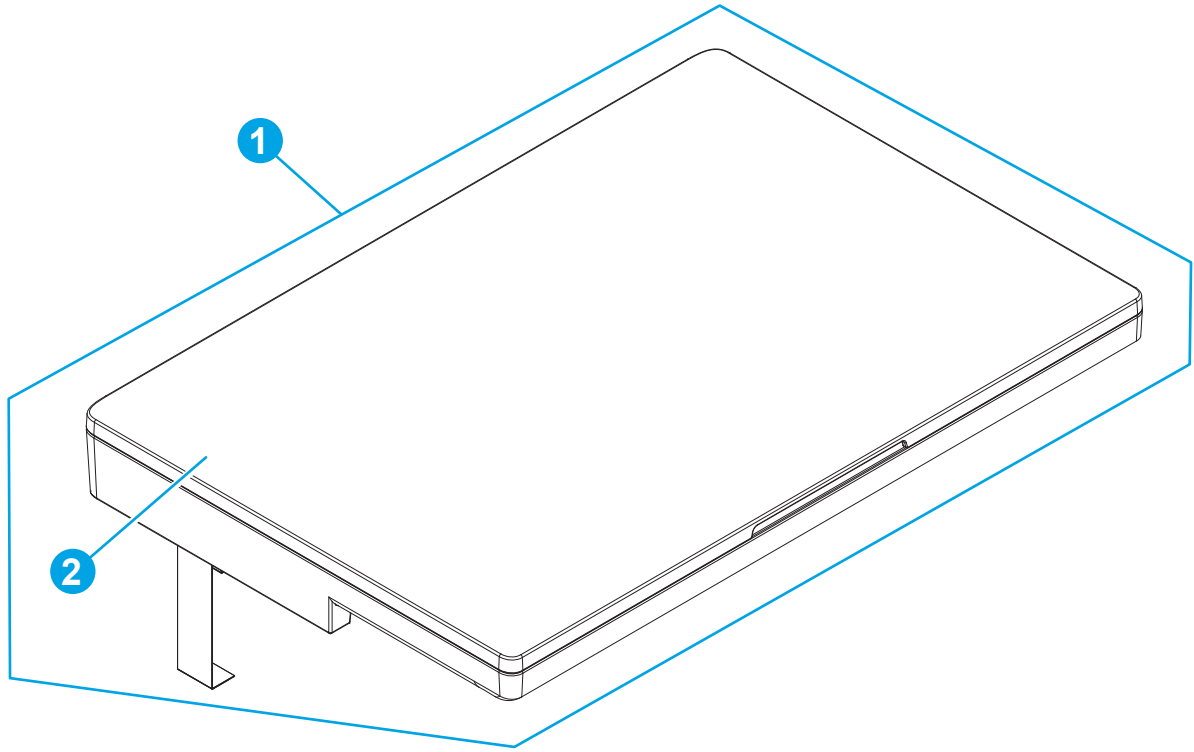


Table 2-3 Image scanner (IS)

Ref	Description	Part number	Qty
1	Image scanner (IS)	G3Q57-60101	1
2	Lid, image scanner (IS)	G3Q57-60102	1

Covers

Covers (SFP models)

Figure 2-3 Covers (SFP models)

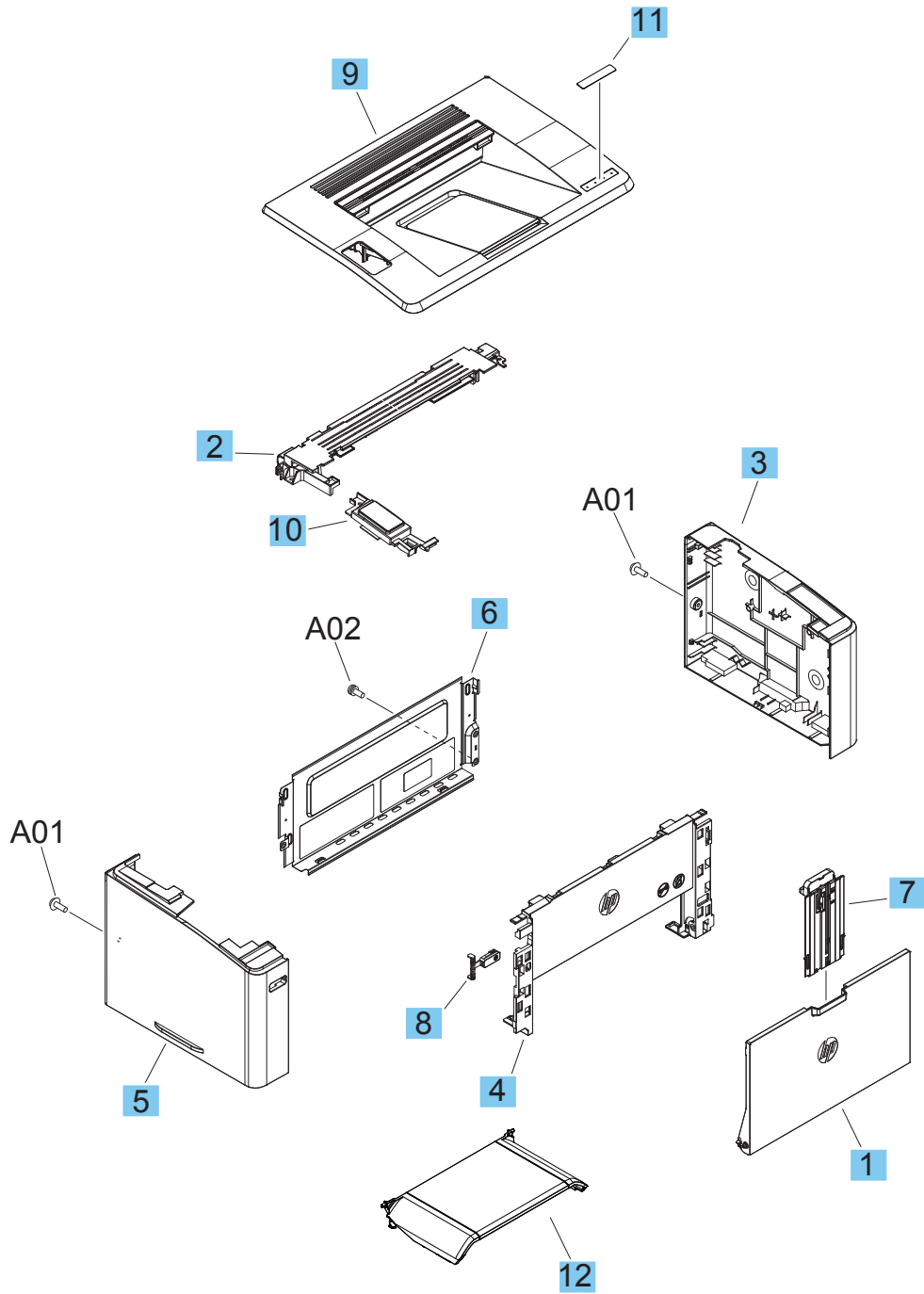


Table 2-4 Covers (SFP models)

Ref	Description	Part number	Qty
1	Tray, multipurpose (SFP)	RC4-7944-000CN	1
2	Cover, assembly top (SFP)	RC4-7947-000CN	1
3	Cover, right (SFP)	RL2-2827-000CN	1
3	Cover, right (SFP; HP LaserJet Ultra M106w only)	RL2-2828-000CN	1
4	Cover, assembly front (SFP)	RC4-7949-000CN	1
5	Cover, left (SFP)	RL2-2826-000CN	1
5	Cover, left (SFP; HP LaserJet Ultra M106W only)	RL2-2424-000CN	1
6	Panel, rear (SFP)	RC4-7952-000CN	1
7	Stopper, back end (MP tray) (SFP)	RL2-1659-000CN	1
8	Button, switch (power) (SFP)	RL2-1664-000CN	1
9	Door, cartridge assembly (bundle model) (SFP)	RM2-2076-000CN	1
9	Door, cartridge assembly (except bundle model) (SFP)	RM2-6978-000CN	1
10	Control panel assembly (M106w, bundle model) (SFP)	RM2-2077-000CN	1
10	Control panel assembly (M102a, M104a, base model) (SFP)	RM2-6976-000CN	1
10	Control panel assembly (M102w, M014w) (SFP)	RM2-6977-000CN	1
11	Label, name (M102a, base model) (SFP)	RC5-3313-000CN	1
11	Label, name (M102w, wireless model) (SFP)	RC5-3314-000CN	1
11	Label, name (M104a, base/EM model) (SFP)	RC5-3315-000CN	1
11	Label, name (M104w, wireless/EM model) (SFP)	RC5-3316-000CN	1
11	Label, name (M106w, wireless/bundle model) (SFP)	RC5-3317-000CN	1
12	Cover, dust (SFP)	RL2-2426-000CN	1

Covers (MFP models)

Figure 2-4 Covers (MFP models)

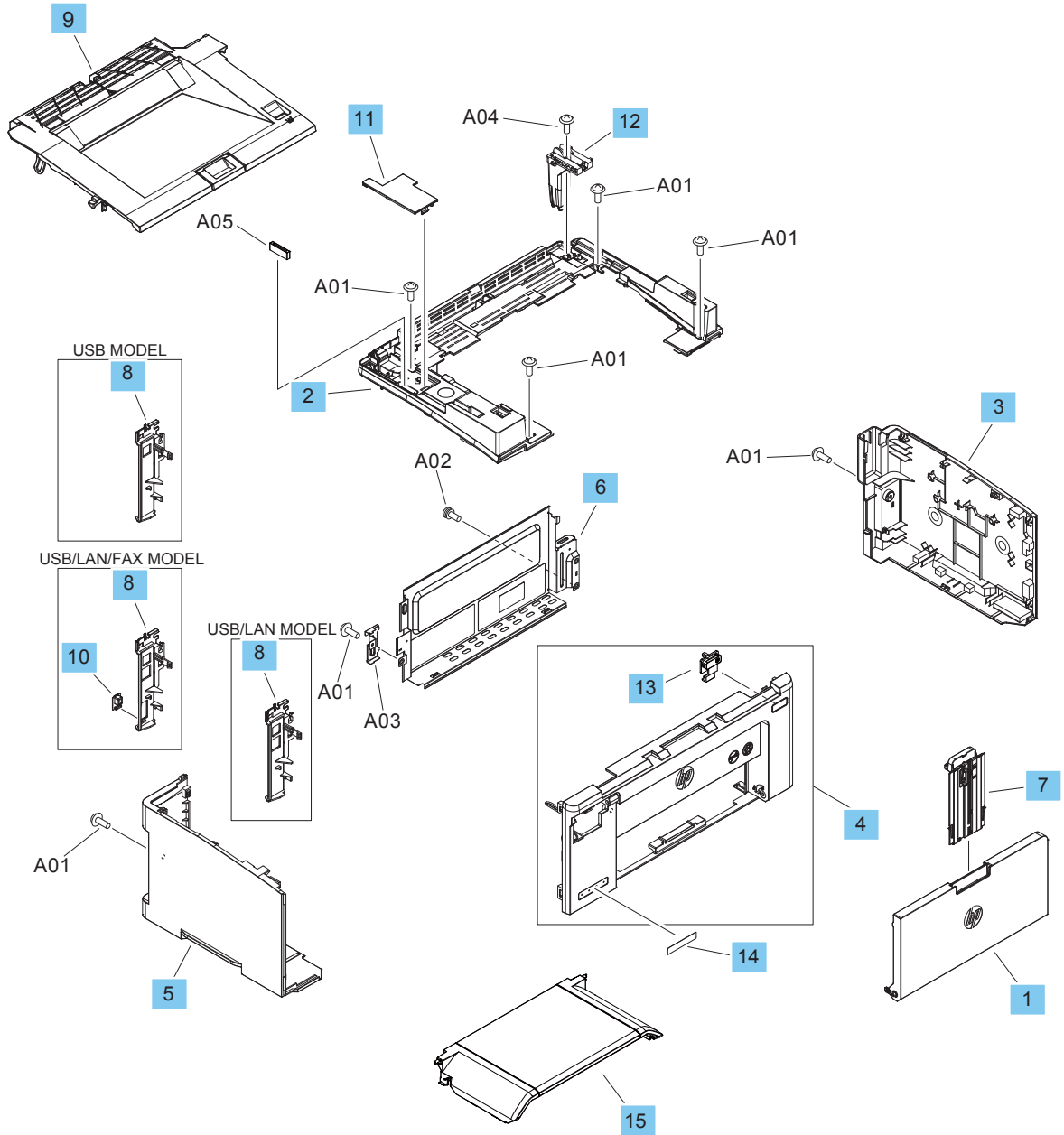


Table 2-5 Covers (MFP models)

Ref	Description	Part number	Qty
1	Tray, multipurpose (MFP)	RC4-7962-000CN	1
2	Cover, assembly top (MFP)	RC4-7958-000CN	1
3	Cover, right (MFP)	RC4-7957-000CN	1
4	Cover, assembly front (except bundle model) (MFP)	RM2-6995-000CN	1
4	Cover, assembly front (bundle model) (MFP)	RM2-2193-000CN	1
5	Cover, left (MFP)	RL2-2425-000CN	1
6	Panel, rear (MFP)	RC4-7964-000CN	1
7	Stopper, back end (MP tray) (MFP)	RL2-1659-000CN	1
8	Cover, USB (USB model) (MFP)	RC5-0072-000CN	1
8	Cover, USB (USB/LAN model) (MFP)	RC5-0073-000CN	1
8	Cover, USB (USB/LAN/FAX model) (MFP)	RC4-7965-000CN	1
9	Door, cartridge assembly (except bundle model; MFP)	RM2-6979-000CN	1
9	Door, cartridge assembly (bundle model; MFP)	RM2-2078-000CN	1
10	Cap, FAX (USB/LAN/FAX model) (MFP)	RC5-0437-000CN	1
11	Cover, cable (MFP)	RC5-0436-000CN	1
12	Hinge, assembly (MFP)	RM2-1182-000CN	1
13	Button, switch (MFP)	RL2-1661-000CN	1
14	Label, name (M130a, 3in1/base model) (MFP)	RC5-3318-000CN	1
14	Label, name (M130nw, 3in1/network/wireless model) (MFP)	RC5-3319-000CN	1
14	Label, name (M132snw, 3in1/network/ADF/EM model) (MFP)	RC5-3320-000CN	1
14	Label, name (M130fn, 4in1/network model) (MFP)	RC5-3321-000CN	1
14	Label, name (M130fw, 4in1/wireless model) (MFP)	RC5-3322-000CN	1
14	Label, name (M132a, 4in1/base/EM model) (MFP)	RC5-3323-000CN	1
14	Label, name (M132nw, 3in1/network/FB/EM model) (MFP)	RC5-3324-000CN	1
14	Label, name (M132fn, 4in1/network/EM model) (MFP)	RC5-3325-000CN	1
14	Label, name (M132fp, 4in1/fax/phone/EM model) (MFP)	RC5-3326-000CN	1
14	Label, name (M132fw, 4in1/wireless/EM model) (MFP)	RC5-3327-000CN	1
14	Label, name (M134a, 3in1/ bundle model) (MFP)	RC5-3328-000CN	1
14	Label, name (M134fn, 4in1/ bundle model) (MFP)	RC5-3329-000CN	1
15	Cover, dust (MFP)	RL2-2427-000CN	1
Not shown	Control panel, LED (M130a, M132a, M133a) (MFP)	G3Q57-60110	1
Not shown	Control panel, LED (M134a) (MFP)	G3Q66-60101	1
Not shown	Control panel, 2-Line LCD (M130nw, M132nw, M132snw) (MFP)	G3Q58-60101	1

Table 2-5 Covers (MFP models) (continued)

Ref	Description	Part number	Qty
Not shown	Control panel, 2-Line LCD (M130fn, M132fn, M132fp, M133fn) (MFP)	G3Q59-60124	1
Not shown	Control panel, 2-Line LCD (M134fn) (MFP)	G3Q67-60101	1
Not shown	Control panel, touchscreen (M130fw, M132fw)	G3Q57-60113	1

Internal components, printer base

Internal components, printer base (1 of 2; SFP)

Figure 2-5 Internal components, printer base (1 of 2; SFP)

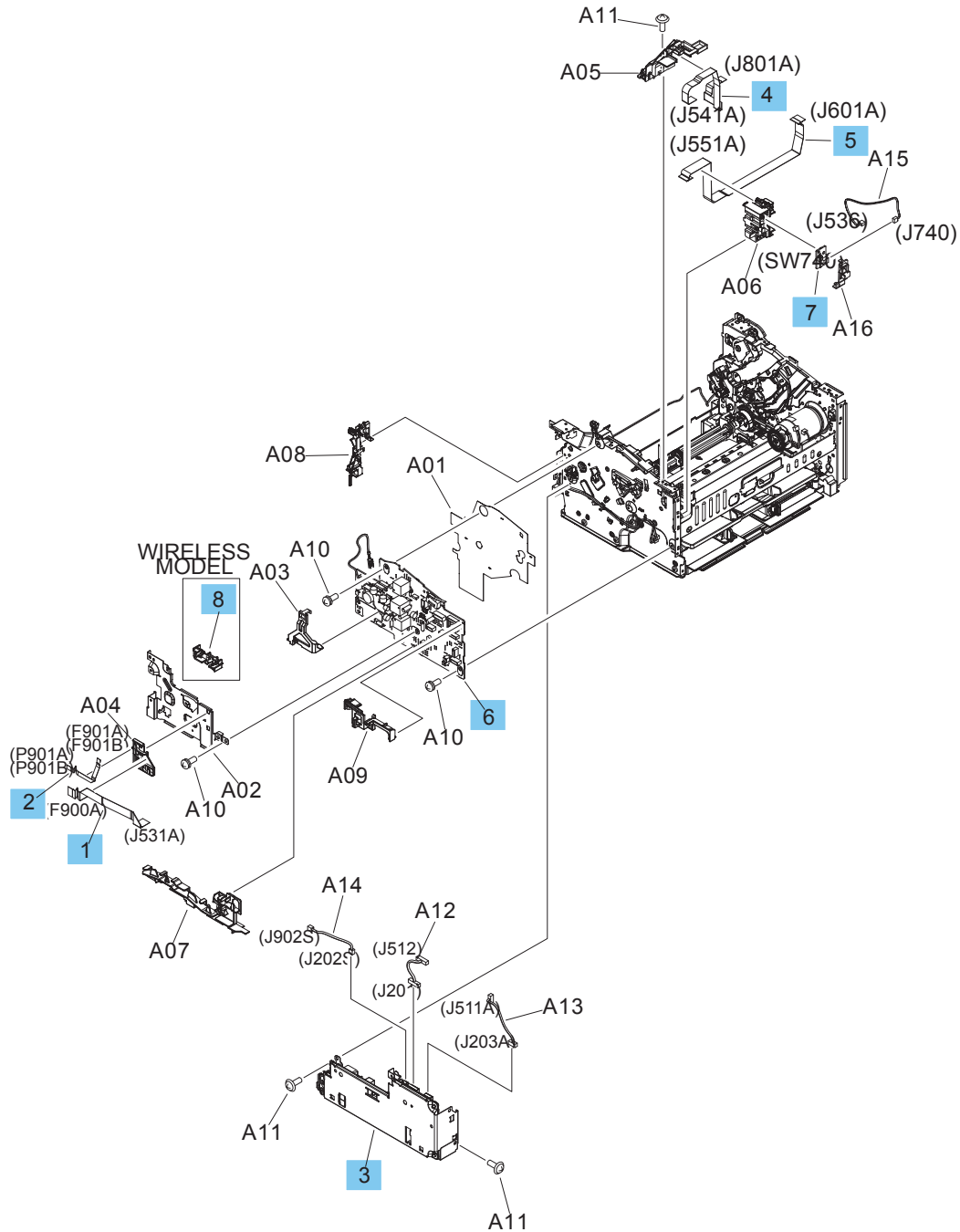


Table 2-6 Internal components, printer base (1 of 2; SFP)¹

Ref	Description	Part number	Qty
1	Cable, flat flexible (SFP)	RK2-8416-000CN	1
2	Cable, flat flexible (base model) (SFP)	RK2-8425-000CN	1
2	Cable, flat flexible (except base model) (SFP)	RK2-8422-000CN	1
3	Low-voltage power supply (LVPS) (110-127V) (SFP)	RM2-1653-000CN	1
3	Low-voltage power supply (LVPS) (220-240V; China) (SFP)	RM2-1655-000CN	1
3	Low-voltage power supply (LVPS) (220-240V; except China) (SFP)	RM2-1654-000CN	1
4	Cable, flat flexible (SFP)	RK2-8410-000CN	1
5	Cable, flat flexible (SFP)	RK2-8413-000CN	1
6	Engine control unit (ECU) PCA (bundle model) (SFP)	RM2-8237-000CN	1
6	Engine control unit (ECU) PCA (except bundle model) (SFP)	RM2-8234-000CN	1
7	Switch, power PCA (SFP)	RM2-8273-000CN	1
8	Holder, Wi-Fi (wireless models; SFP)	RC4-7851-000CN	1
Not shown	Formatter assembly Modi2 M101/M106 Ca-base	G3Q34-60001	1
Not shown	Formatter assembly Modi2 M101/M106 Ca-w	G3Q35-60001	1
Not shown	Wi-Fi board (wireless models only; SFP)	0960-3662	1

¹ Some assemblies are common between the SFP printers and the MFP printers. Make sure that the correct part number is used to order assemblies.

Internal components, printer base (2 of 2; SFP)

Figure 2-6 Internal components, printer base (2 of 2; SFP)

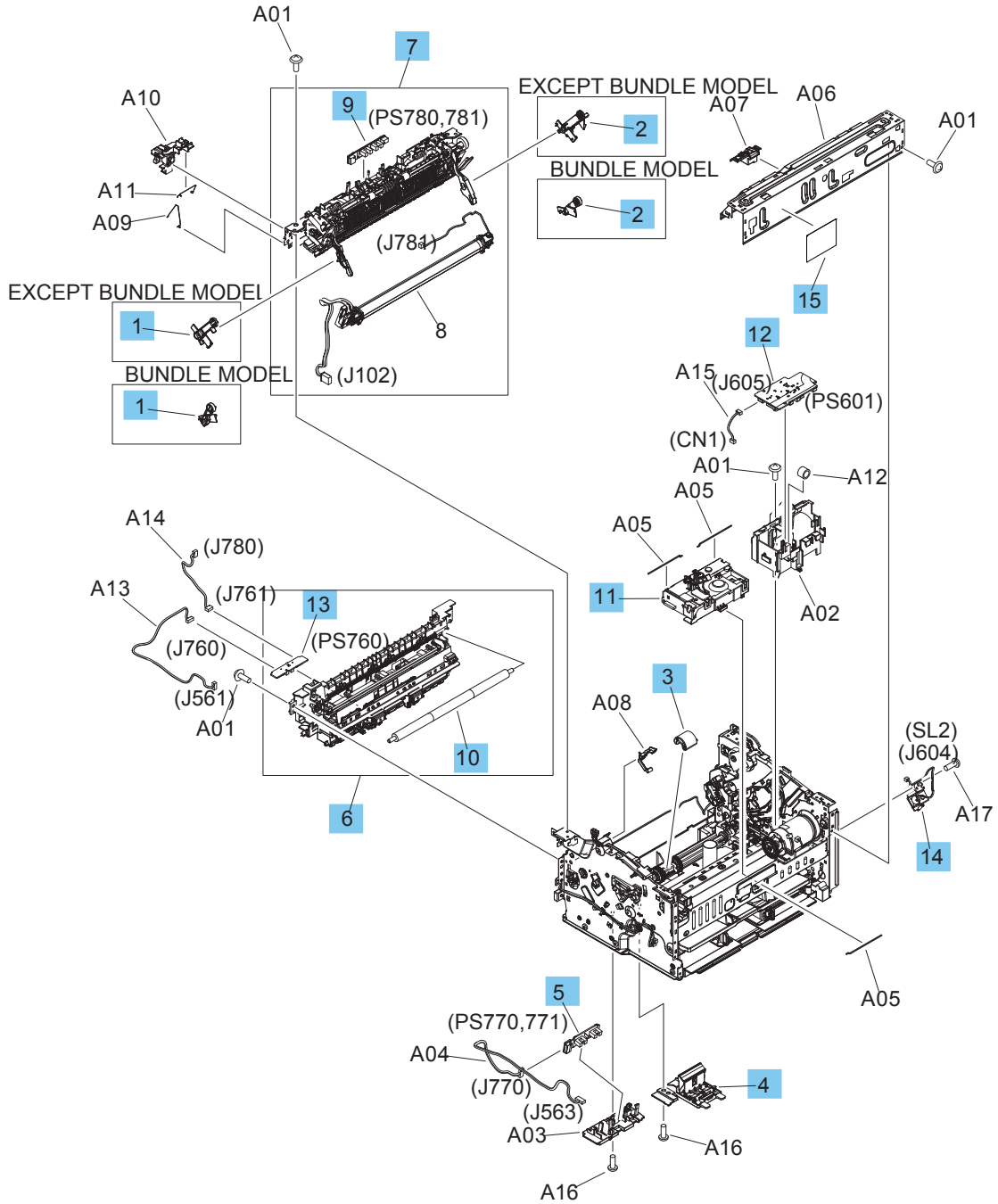


Table 2-7 Internal components, printer base (2 of 2; SFP)¹

Ref	Description	Part number	Qty
1	Link, pressure relief left (bundle model) (SFP)	RC4-7774-000CN	1
1	Link, pressure relief left (except bundle model) (SFP)	RC4-7736-000CN	1
2	Link, pressure relief right (bundle model) (SFP)	RC4-7775-000CN	1
2	Link, pressure relief right (except bundle model) (SFP)	RC4-7737-000CN	1
3	Roller, paper pickup (SFP)	RL1-2593-000CN	1
4	Pad, separation assembly (SFP)	RM2-6957-000CN	1
5	Sensor, environmental PCA (SFP)	RM2-8276-000CN	1
6	Transfer assembly (SFP)	RM2-1661-000CN	1
7	Fixing (fuser) assembly (110-120V) (SFP)	RM2-6947-000CN	1
7	Fixing (fuser) assembly (220-240V) (SFP)	RM2-6948-000CN	1
8	Fixing (fuser) film assembly (110-120V) (SFP)	RM2-6962-000CN	1
8	Fixing (fuser) film assembly (220-240V) (SFP)	RM2-6963-000CN	1
9	Sensor, delivery PCA (SFP)	RM2-8278-000CN	1
10	Roller, transfer (SFP)	RM2-1660-000CN	1
11	Laser scanner assembly (SFP)	RM2-1662-000CN	1
12	Motor PCA (SFP)	RM2-8251-000CN	1
13	Paper pickup sensor PCA assembly (SFP)	RM2-8277-000CN	1
14	Solenoid (SFP)	RK2-7601-000CN	
15	Label, attention (SFP)	RU5-8841-000CN	

¹ Some assemblies are common between the SFP printers and the MFP printers. Make sure that the correct part number is used to order assemblies.

Internal components, printer base (1 of 2; MFP)

Figure 2-7 Internal components, printer base (1 of 2; MFP)

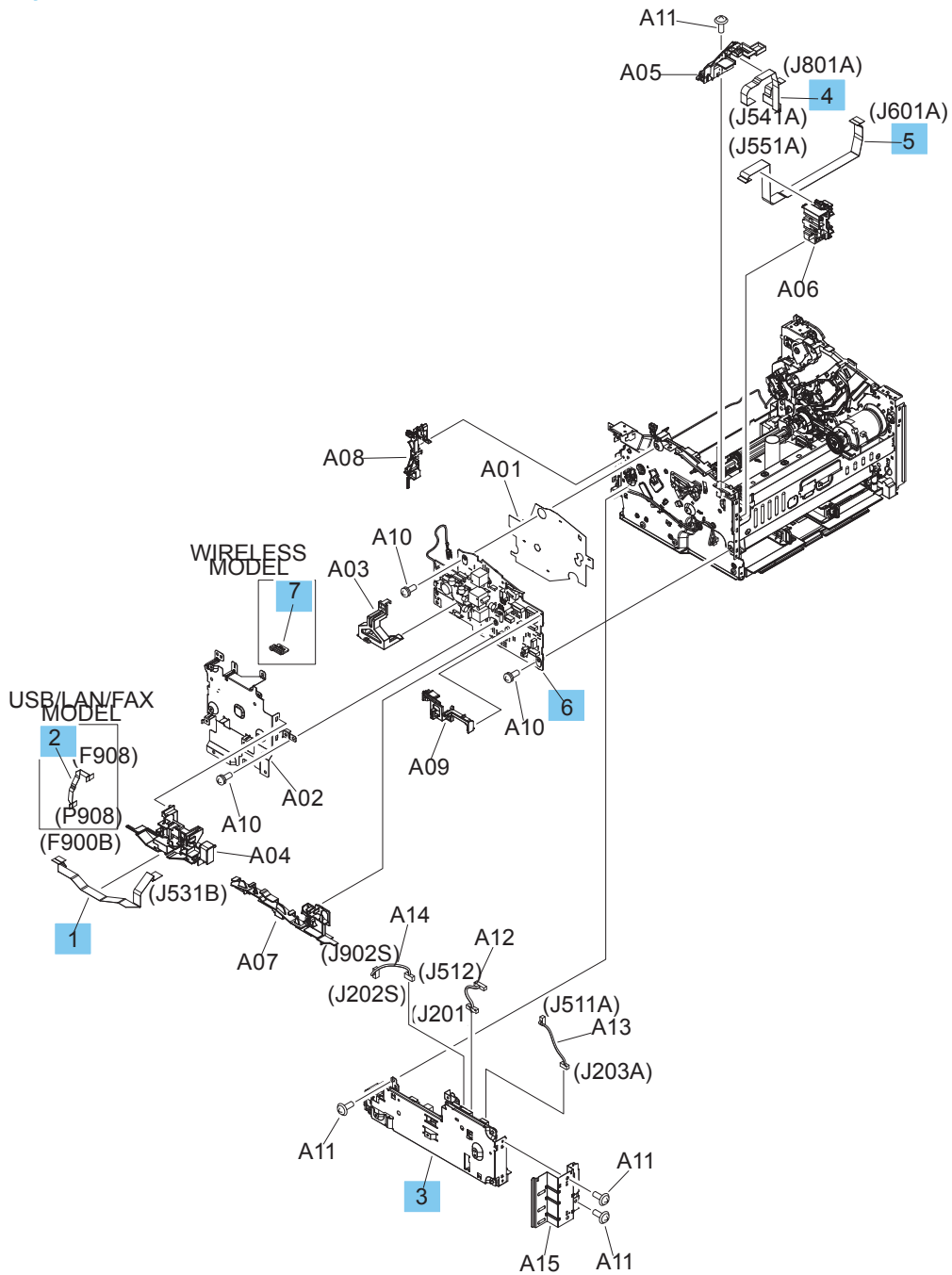


Table 2-8 Internal components, printer base (1 of 2; MFP)¹

Ref	Description	Part number	Qty
1	Cable, flat flexible (MFP)	RK2-8419-000CN	1
2	Cable, flat flexible (USB/LAN/FAX model) (MFP)	RK2-8440-000CN	1
3	Low-voltage power supply (LVPS) (110-127V) (MFP)	RM2-1656-000CN	1
3	Low-voltage power supply (LVPS) (220-240V; China) (MFP)	RM2-1658-000CN	1
3	Low-voltage power supply (LVPS) (220-240V; except China) (MFP)	RM2-1657-000CN	1
4	Cable, flat flexible (MFP)	RK2-8410-000CN	1
5	Cable, flat flexible (MFP)	RK2-8413-000CN	1
6	Engine control unit (ECU) PCA (bundle model) (MFP)	RM2-8237-000CN	1
6	Engine control unit (ECU) PCA (except bundle model) (MFP)	RM2-8234-000CN	1
7	Holder, Wi-Fi (wireless models only; MFP)	RC5-0500-000CN	1
Not shown	Formatter assembly Ullr2 M129/M134 3in1-base	G3Q57-60001	1
Not shown	Formatter assembly Ullr2 M129/M134 3in1-nw	G3Q58-60001	1
Not shown	Formatter assembly Ullr2 M129/M134 4in1-fn/fw	G3Q63-60001	1
Not shown	Wi-Fi board (wireless models only; MFP)	0960-3662	1
Not shown	Fax board (Asia/US) (fax models only; MFP)	G3Q60-60001	1
Not shown	Fax board (EU) (fax models only; MFP)	G3Q61-60001	1
Not shown	Fax board (Brazil) (fax models only; MFP)	G3Q62-60001	1
Not shown	Fax, rubber cap (fax models only; MFP)	RC5-0437-000CN	1

¹ Some assemblies are common between the SFP printers and the MFP printers. Make sure that the correct part number is used to order assemblies.

Internal components, printer base (2 of 2; MFP)

Figure 2-8 Internal components, printer base (2 of 2; MFP)

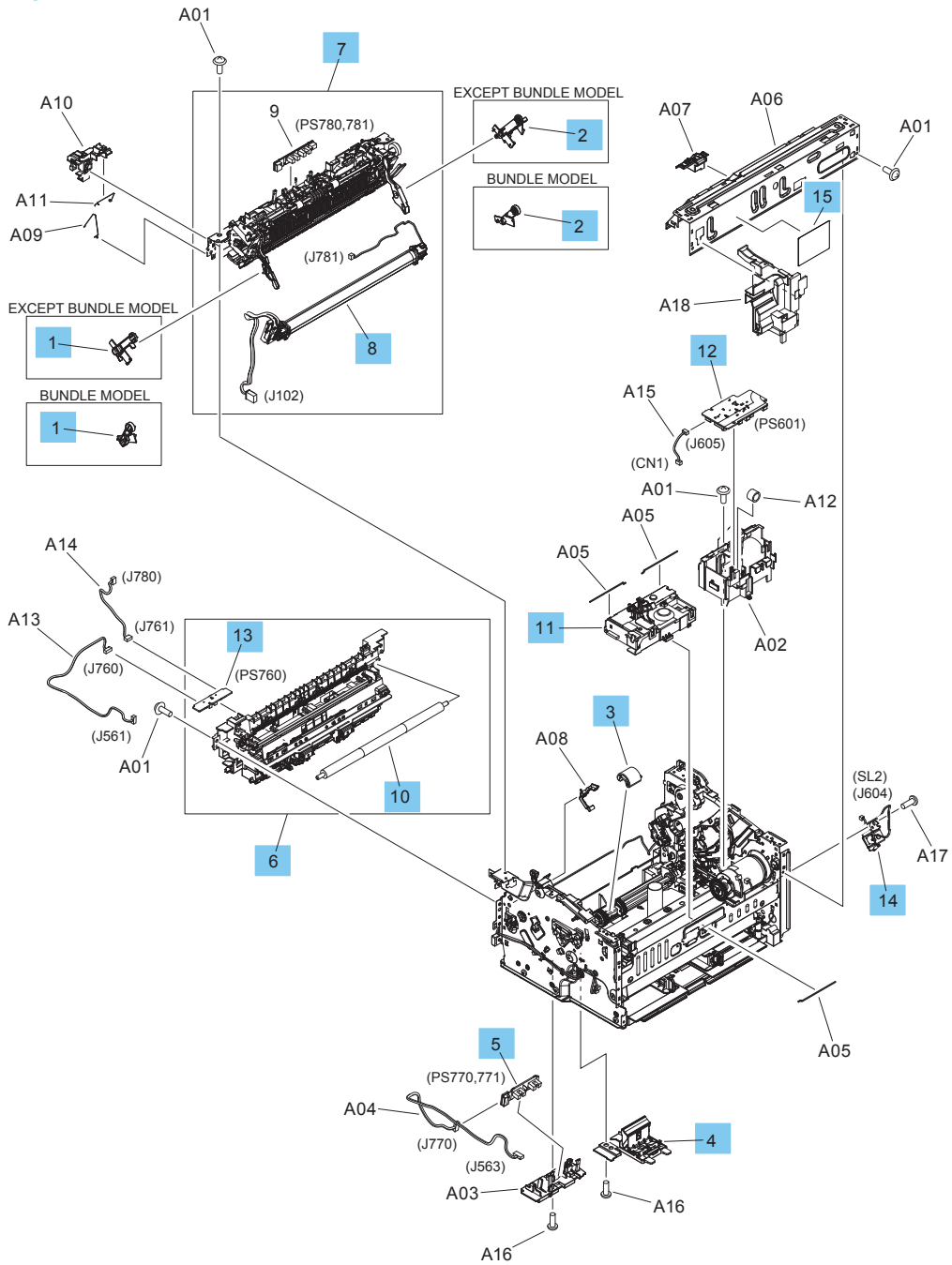


Table 2-9 Internal components, printer base (2 of 2; MFP)¹

Ref	Description	Part number	Qty
1	Link, pressure relief left (bundle model) (MFP)	RC4-7774-000CN	1
1	Link, pressure relief left (except bundle model) (MFP)	RC4-7736-000CN	1
2	Link, pressure relief right (bundle model) (MFP)	RC4-7775-000CN	1
2	Link, pressure relief right (except bundle model) (MFP)	RC4-7737-000CN	1
3	Roller, paper pickup (MFP)	RL1-2593-000CN	1
4	Pad, separation assembly (MFP)	RM2-6957-000CN	1
5	Sensor, environmental PCA (MFP)	RM2-8276-000CN	1
6	Transfer assembly (MFP)	RM2-1661-000CN	1
7	Fixing (fuser) assembly (110-120V) (MFP)	RM2-6947-000CN	1
7	Fixing (fuser) assembly (220-240V) (MFP)	RM2-6948-000CN	1
8	Fixing (fuser) film assembly (110-120V) (MFP)	RM2-6962-000CN	1
8	Fixing (fuser) film assembly (220-240V) (MFP)	RM2-6963-000CN	1
9	Sensor, delivery PCA (MFP)	RM2-8278-000CN	1
10	Roller, transfer (MFP)	RM2-1660-000CN	1
11	Laser scanner assembly (MFP)	RM2-1662-000CN	1
12	Motor PCA (MFP)	RM2-8251-000CN	1
13	Paper pickup sensor PCA assembly (MFP)	RM2-8277-000CN	1
14	Solenoid (MFP)	RK2-7601-000CN	
15	Label, attention (MFP)	RU5-8841-000CN	1

¹ Some assemblies are common between the SFP printers and the MFP printers. Make sure that the correct part number is used to order assemblies.

Alphabetical parts list

Table 2-10 Alphabetical parts list

Description	Part number	Table and page
Base, assembly (MFP)	G3Q59-60117	Integrated scanner assembly (ISA) on page 695
Button, switch (MFP)	RL2-1661-000CN	Covers (MFP models) on page 701
Button, switch (power) (SFP)	RL2-1664-000CN	Covers (SFP models) on page 699
Cable, flat flexible (base model) (SFP)	RK2-8425-000CN	Internal components, printer base (1 of 2; SFP)¹ on page 705
Cable, flat flexible (except base model) (SFP)	RK2-8422-000CN	Internal components, printer base (1 of 2; SFP)¹ on page 705
Cable, flat flexible (MFP)	RK2-8419-000CN	Internal components, printer base (1 of 2; MFP)¹ on page 709
Cable, flat flexible (MFP)	RK2-8410-000CN	Internal components, printer base (1 of 2; MFP)¹ on page 709
Cable, flat flexible (MFP)	RK2-8413-000CN	Internal components, printer base (1 of 2; MFP)¹ on page 709
Cable, flat flexible (SFP)	RK2-8416-000CN	Internal components, printer base (1 of 2; SFP)¹ on page 705
Cable, flat flexible (SFP)	RK2-8410-000CN	Internal components, printer base (1 of 2; SFP)¹ on page 705
Cable, flat flexible (SFP)	RK2-8413-000CN	Internal components, printer base (1 of 2; SFP)¹ on page 705
Cable, flat flexible (USB/LAN/FAX model) (MFP)	RK2-8440-000CN	Internal components, printer base (1 of 2; MFP)¹ on page 709
Cap, FAX (USB/LAN/FAX model) (MFP)	RC5-0437-000CN	Covers (MFP models) on page 701
Control panel assembly (M102a, M104a, base model) (SFP)	RM2-6976-000CN	Covers (SFP models) on page 699
Control panel assembly (M102w, M014w) (SFP)	RM2-6977-000CN	Covers (SFP models) on page 699
Control panel assembly (M106w, bundle model) (SFP)	RM2-2077-000CN	Covers (SFP models) on page 699
Control panel, 2-Line LCD (M134fn) (MFP)	G3Q67-60101	Covers (MFP models) on page 701

Table 2-10 Alphabetical parts list (continued)

Description	Part number	Table and page
Control panel, 2-Line LCD (M130fn, M132fn, M132fp, M133fn) (MFP)	G3Q59-60124	Covers (MFP models) on page 701
Control panel, 2-Line LCD (M130nw, M132nw, M132snw) (MFP)	G3Q58-60101	Covers (MFP models) on page 701
Control panel, LED (M134a) (MFP)	G3Q66-60101	Covers (MFP models) on page 701
Control panel, LED (M130a, M132a, M133a) (MFP)	G3Q57-60110	Covers (MFP models) on page 701
Control panel, touchscreen (M130fw, M132fw)	G3Q57-60113	Covers (MFP models) on page 701
Core, assembly ADF (MFP)	G3Q59-60118	Integrated scanner assembly (ISA) on page 695
Cover, assembly front (bundle model) (MFP)	RM2-2193-000CN	Covers (MFP models) on page 701
Cover, assembly front (except bundle model) (MFP)	RM2-6995-000CN	Covers (MFP models) on page 701
Cover, assembly front (SFP)	RC4-7949-000CN	Covers (SFP models) on page 699
Cover, assembly top (MFP)	RC4-7958-000CN	Covers (MFP models) on page 701
Cover, assembly top (SFP)	RC4-7947-000CN	Covers (SFP models) on page 699
Cover, cable (MFP)	RC5-0436-000CN	Covers (MFP models) on page 701
Cover, document feeder top (MFP)	G3Q59-60114	Integrated scanner assembly (ISA) on page 695
Cover, dust (MFP)	RL2-2427-000CN	Covers (MFP models) on page 701
Cover, dust (SFP)	RL2-2426-000CN	Covers (SFP models) on page 699
Cover, left (MFP)	RL2-2425-000CN	Covers (MFP models) on page 701
Cover, left (SFP)	RL2-2826-000CN	Covers (SFP models) on page 699
Cover, left (SFP; HP LaserJet Ultra M106W only)	RL2-2424-000CN	Covers (SFP models) on page 699
Cover, right (SFP)	RL2-2827-000CN	Covers (SFP models) on page 699
Cover, right (SFP; HP LaserJet Ultra M106w only)	RL2-2828-000CN	Covers (SFP models) on page 699
Cover, USB (USB model) (MFP)	RC5-0072-000CN	Covers (MFP models) on page 701

Table 2-10 Alphabetical parts list (continued)

Description	Part number	Table and page
Cover, USB (USB/LAN model) (MFP)	RC5-0073-000CN	Covers (MFP models) on page 701
Cover, USB (USB/LAN/FAX model) (MFP)	RC4-7965-000CN	Covers (MFP models) on page 701
Cover, right (MFP)	RC4-7957-000CN	Covers (MFP models) on page 701
Door, cartridge assembly (bundle model) (SFP)	RM2-2076-000CN	Covers (SFP models) on page 699
Door, cartridge assembly (bundle model; MFP)	RM2-2078-000CN	Covers (MFP models) on page 701
Door, cartridge assembly (except bundle model) (SFP)	RM2-6978-000CN	Covers (SFP models) on page 699
Door, cartridge assembly (except bundle model; MFP)	RM2-6979-000CN	Covers (MFP models) on page 701
Engine control unit (ECU) PCA (bundle model) (MFP)	RM2-8237-000CN	Internal components, printer base (1 of 2; MFP)¹ on page 709
Engine control unit (ECU) PCA (bundle model) (SFP)	RM2-8237-000CN	Internal components, printer base (1 of 2; SFP)¹ on page 705
Engine control unit (ECU) PCA (except bundle model) (MFP)	RM2-8234-000CN	Internal components, printer base (1 of 2; MFP)¹ on page 709
Engine control unit (ECU) PCA (except bundle model) (SFP)	RM2-8234-000CN	Internal components, printer base (1 of 2; SFP)¹ on page 705
Fax board (Asia/US) (fax models only; MFP)	G3Q60-60001	Internal components, printer base (1 of 2; MFP)¹ on page 709
Fax board (Brazil) (fax models only; MFP)	G3Q62-60001	Internal components, printer base (1 of 2; MFP)¹ on page 709
Fax board (EU) (fax models only; MFP)	G3Q61-60001	Internal components, printer base (1 of 2; MFP)¹ on page 709
Fax, rubber cap (fax models only; MFP)	RC5-0437-000CN	Internal components, printer base (1 of 2; MFP)¹ on page 709
Fixing (fuser) assembly (110-120V) (MFP)	RM2-6947-000CN	Internal components, printer base (2 of 2; MFP)¹ on page 711
Fixing (fuser) assembly (110-120V) (SFP)	RM2-6947-000CN	Internal components, printer base (2 of 2; SFP)¹ on page 707

Table 2-10 Alphabetical parts list (continued)

Description	Part number	Table and page
Fixing (fuser) assembly (220-240V) (MFP)	RM2-6948-000CN	Internal components, printer base (2 of 2; MFP)¹ on page 711
Fixing (fuser) assembly (220-240V) (SFP)	RM2-6948-000CN	Internal components, printer base (2 of 2; SFP)¹ on page 707
Fixing (fuser) film assembly (110-120V) (MFP)	RM2-6962-000CN	Internal components, printer base (2 of 2; MFP)¹ on page 711
Fixing (fuser) film assembly (110-120V) (SFP)	RM2-6962-000CN	Internal components, printer base (2 of 2; SFP)¹ on page 707
Fixing (fuser) film assembly (220-240V) (MFP)	RM2-6963-000CN	Internal components, printer base (2 of 2; MFP)¹ on page 711
Fixing (fuser) film assembly (220-240V) (SFP)	RM2-6963-000CN	Internal components, printer base (2 of 2; SFP)¹ on page 707
Formatter assembly Modi2 M101/M106 Ca-base	G3Q34-60001	Internal components, printer base (1 of 2; SFP)¹ on page 705
Formatter assembly Modi2 M101/M106 Ca-w	G3Q35-60001	Internal components, printer base (1 of 2; SFP)¹ on page 705
Formatter assembly Ullr2 M129/M134 3in1-base	G3Q57-60001	Internal components, printer base (1 of 2; MFP)¹ on page 709
Formatter assembly Ullr2 M129/M134 3in1-nw	G3Q58-60001	Internal components, printer base (1 of 2; MFP)¹ on page 709
Formatter assembly Ullr2 M129/M134 4in1-fn/fw	G3Q63-60001	Internal components, printer base (1 of 2; MFP)¹ on page 709
Hinge, assembly (MFP)	RM2-1182-000CN	Covers (MFP models) on page 701
Holder, Wi-Fi (wireless models only; MFP)	RC5-0500-000CN	Internal components, printer base (1 of 2; MFP)¹ on page 709
Holder, Wi-Fi (wireless models; SFP)	RC4-7851-000CN	Internal components, printer base (1 of 2; SFP)¹ on page 705
Image scanner (IS)	G3Q57-60101	Image scanner (IS) on page 697
Input tray, document feeder (M132; MFP)	G3Q59-60115	Integrated scanner assembly (ISA) on page 695
Input tray, document feeder (M134; MFP)	P6N90-60102	Integrated scanner assembly (ISA) on page 695

Table 2-10 Alphabetical parts list (continued)

Description	Part number	Table and page
Integrated scanner assembly (document feeder with image scanner) (MFP)	G3Q59-60101	Integrated scanner assembly (ISA) on page 695
Label, attention (MFP)	RU5-8841-000CN	Internal components, printer base (2 of 2; MFP)¹ on page 711
Label, attention (SFP)	RU5-8841-000CN	Internal components, printer base (2 of 2; SFP)¹ on page 707
Label, name (M102a, base model) (SFP)	RC5-3313-000CN	Covers (SFP models) on page 699
Label, name (M102w, wireless model) (SFP)	RC5-3314-000CN	Covers (SFP models) on page 699
Label, name (M104a, base/EM model) (SFP)	RC5-3315-000CN	Covers (SFP models) on page 699
Label, name (M104w, wireless/EM model) (SFP)	RC5-3316-000CN	Covers (SFP models) on page 699
Label, name (M106w, wireless/bundle model) (SFP)	RC5-3317-000CN	Covers (SFP models) on page 699
Label, name (M130a, 3in1/base model) (MFP)	RC5-3318-000CN	Covers (MFP models) on page 701
Label, name (M130fn, 4in1/network model) (MFP)	RC5-3321-000CN	Covers (MFP models) on page 701
Label, name (M130fw, 4in1/wireless model) (MFP)	RC5-3322-000CN	Covers (MFP models) on page 701
Label, name (M130nw, 3in1/network/wireless model) (MFP)	RC5-3319-000CN	Covers (MFP models) on page 701
Label, name (M132a, 4in1/base/EM model) (MFP)	RC5-3323-000CN	Covers (MFP models) on page 701
Label, name (M132fn, 4in1/network/EM model) (MFP)	RC5-3325-000CN	Covers (MFP models) on page 701
Label, name (M132fp, 4in1/fax/phone/EM model) (MFP)	RC5-3326-000CN	Covers (MFP models) on page 701
Label, name (M132fw, 4in1/wireless/EM model) (MFP)	RC5-3327-000CN	Covers (MFP models) on page 701
Label, name (M132nw, 3in1/network/FB/EM model) (MFP)	RC5-3324-000CN	Covers (MFP models) on page 701
Label, name (M132snw, 3in1/network/ADF/EM model) (MFP)	RC5-3320-000CN	Covers (MFP models) on page 701
Label, name (M134a, 3in1/ bundle model) (MFP)	RC5-3328-000CN	Covers (MFP models) on page 701
Label, name (M134fn, 4in1/ bundle model) (MFP)	RC5-3329-000CN	Covers (MFP models) on page 701

Table 2-10 Alphabetical parts list (continued)

Description	Part number	Table and page
Laser scanner assembly (MFP)	RM2-1662-000CN	Internal components, printer base (2 of 2; MFP)¹ on page 711
Laser scanner assembly (SFP)	RM2-1662-000CN	Internal components, printer base (2 of 2; SFP)¹ on page 707
Lid, image scanner (IS)	G3Q57-60102	Image scanner (IS) on page 697
Link, pressure relief left (bundle model) (MFP)	RC4-7774-000CN	Internal components, printer base (2 of 2; MFP)¹ on page 711
Link, pressure relief left (bundle model) (SFP)	RC4-7774-000CN	Internal components, printer base (2 of 2; SFP)¹ on page 707
Link, pressure relief left (except bundle model) (MFP)	RC4-7736-000CN	Internal components, printer base (2 of 2; MFP)¹ on page 711
Link, pressure relief left (except bundle model) (SFP)	RC4-7736-000CN	Internal components, printer base (2 of 2; SFP)¹ on page 707
Link, pressure relief right (bundle model) (MFP)	RC4-7775-000CN	Internal components, printer base (2 of 2; MFP)¹ on page 711
Link, pressure relief right (bundle model) (SFP)	RC4-7775-000CN	Internal components, printer base (2 of 2; SFP)¹ on page 707
Link, pressure relief right (except bundle model) (MFP)	RC4-7737-000CN	Internal components, printer base (2 of 2; MFP)¹ on page 711
Link, pressure relief right (except bundle model) (SFP)	RC4-7737-000CN	Internal components, printer base (2 of 2; SFP)¹ on page 707
Low-voltage power supply (LVPS) (110-127V) (MFP)	RM2-1656-000CN	Internal components, printer base (1 of 2; MFP)¹ on page 709
Low-voltage power supply (LVPS) (110-127V) (SFP)	RM2-1653-000CN	Internal components, printer base (1 of 2; SFP)¹ on page 705
Low-voltage power supply (LVPS) (220-240V; China) (MFP)	RM2-1658-000CN	Internal components, printer base (1 of 2; MFP)¹ on page 709
Low-voltage power supply (LVPS) (220-240V; China) (SFP)	RM2-1655-000CN	Internal components, printer base (1 of 2; SFP)¹ on page 705
Low-voltage power supply (LVPS) (220-240V; except China) (MFP)	RM2-1657-000CN	Internal components, printer base (1 of 2; MFP)¹ on page 709

Table 2-10 Alphabetical parts list (continued)

Description	Part number	Table and page
Low-voltage power supply (LVPS) (220-240V; except China) (SFP)	RM2-1654-000CN	Internal components, printer base (1 of 2; SFP)¹ on page 705
Motor PCA (MFP)	RM2-8251-000CN	Internal components, printer base (2 of 2; MFP)¹ on page 711
Motor PCA (SFP)	RM2-8251-000CN	Internal components, printer base (2 of 2; SFP)¹ on page 707
Mylar ramp kit (MFP)	G3Q59-60120	Integrated scanner assembly (ISA) on page 695
Pad, separation assembly (MFP)	RM2-6957-000CN	Internal components, printer base (2 of 2; MFP)¹ on page 711
Pad, separation assembly (SFP)	RM2-6957-000CN	Internal components, printer base (2 of 2; SFP)¹ on page 707
Panel, rear (MFP)	RC4-7964-000CN	Covers (MFP models) on page 701
Panel, rear (SFP)	RC4-7952-000CN	Covers (SFP models) on page 699
Paper pickup sensor PCA assembly (MFP)	RM2-8277-000CN	Internal components, printer base (2 of 2; MFP)¹ on page 711
Paper pickup sensor PCA assembly (SFP)	RM2-8277-000CN	Internal components, printer base (2 of 2; SFP)¹ on page 707
Pre-pick arm assembly (MFP)	CB780-60032	Integrated scanner assembly (ISA) on page 695
Roller, paper pickup (MFP)	RL1-2593-000CN	Internal components, printer base (2 of 2; MFP)¹ on page 711
Roller, paper pickup (SFP)	RL1-2593-000CN	Internal components, printer base (2 of 2; SFP)¹ on page 707
Roller, transfer (MFP)	RM2-1660-000CN	Internal components, printer base (2 of 2; MFP)¹ on page 711
Roller, transfer (SFP)	RM2-1660-000CN	Internal components, printer base (2 of 2; SFP)¹ on page 707
Sensor, delivery PCA (MFP)	RM2-8278-000CN	Internal components, printer base (2 of 2; MFP)¹ on page 711
Sensor, delivery PCA (SFP)	RM2-8278-000CN	Internal components, printer base (2 of 2; SFP)¹ on page 707

Table 2-10 Alphabetical parts list (continued)

Description	Part number	Table and page
Sensor, environmental PCA (MFP)	RM2-8276-000CN	Internal components, printer base (2 of 2; MFP)¹ on page 711
Sensor, environmental PCA (SFP)	RM2-8276-000CN	Internal components, printer base (2 of 2; SFP)¹ on page 707
Separation pad, assembly (MFP)	G3Q59-60129	Integrated scanner assembly (ISA) on page 695
Solenoid (MFP)	RK2-7601-000CN	Internal components, printer base (2 of 2; MFP)¹ on page 711
Solenoid (SFP)	RK2-7601-000CN	Internal components, printer base (2 of 2; SFP)¹ on page 707
Stopper, back end (MP tray) (MFP)	RL2-1659-000CN	Covers (MFP models) on page 701
Stopper, back end (MP tray) (SFP)	RL2-1659-000CN	Covers (SFP models) on page 699
Switch, power PCA (SFP)	RM2-8273-000CN	Internal components, printer base (1 of 2; SFP)¹ on page 705
Transfer assembly (MFP)	RM2-1661-000CN	Internal components, printer base (2 of 2; MFP)¹ on page 711
Transfer assembly (SFP)	RM2-1661-000CN	Internal components, printer base (2 of 2; SFP)¹ on page 707
Tray, multipurpose (MFP)	RC4-7962-000CN	Covers (MFP models) on page 701
Tray, multipurpose (SFP)	RC4-7944-000CN	Covers (SFP models) on page 699
Wi-Fi board (wireless models only; MFP)	0960-3662	Internal components, printer base (1 of 2; MFP)¹ on page 709
Wi-Fi board (wireless models only; SFP)	0960-3662	Internal components, printer base (1 of 2; SFP)¹ on page 705

Numerical parts list

Table 2-11 Numerical parts list

Part number	Description	Table and page
0960-3662	Wi-Fi board (wireless models only; SFP)	Internal components, printer base (1 of 2; SFP)¹ on page 705
0960-3662	Wi-Fi board (wireless models only; MFP)	Internal components, printer base (1 of 2; MFP)¹ on page 709
CB780-60032	Pre-pick arm assembly (MFP)	Integrated scanner assembly (ISA) on page 695
G3Q34-60001	Formatter assembly Modi2 M101/M106 Ca-base	Internal components, printer base (1 of 2; SFP)¹ on page 705
G3Q35-60001	Formatter assembly Modi2 M101/M106 Ca-w	Internal components, printer base (1 of 2; SFP)¹ on page 705
G3Q57-60001	Formatter assembly Ullr2 M129/M134 3in1-base	Internal components, printer base (1 of 2; MFP)¹ on page 709
G3Q57-60101	Image scanner (IS)	Image scanner (IS) on page 697
G3Q57-60102	Lid, image scanner (IS)	Image scanner (IS) on page 697
G3Q57-60110	Control panel, LED (M130a, M132a, M133a) (MFP)	Covers (MFP models) on page 701
G3Q57-60113	Control panel, touchscreen (M130fw, M132fw)	Covers (MFP models) on page 701
G3Q58-60001	Formatter assembly Ullr2 M129/M134 3in1-nw	Internal components, printer base (1 of 2; MFP)¹ on page 709
G3Q58-60101	Control panel, 2-Line LCD (M130nw, M132nw, M132snw) (MFP)	Covers (MFP models) on page 701
G3Q59-60101	Integrated scanner assembly (document feeder with image scanner) (MFP)	Integrated scanner assembly (ISA) on page 695
G3Q59-60114	Cover, document feeder top (MFP)	Integrated scanner assembly (ISA) on page 695
G3Q59-60115	Input tray, document feeder (M132; MFP)	Integrated scanner assembly (ISA) on page 695
G3Q59-60117	Base, assembly (MFP)	Integrated scanner assembly (ISA) on page 695
G3Q59-60118	Core, assembly ADF (MFP)	Integrated scanner assembly (ISA) on page 695
G3Q59-60120	Mylar ramp kit (MFP)	Integrated scanner assembly (ISA) on page 695

Table 2-11 Numerical parts list (continued)

Part number	Description	Table and page
G3Q59-60124	Control panel, 2-Line LCD (M130fn, M132fn, M132fp, M133fn) (MFP)	Covers (MFP models) on page 701
G3Q59-60129	Separation pad, assembly (MFP)	Integrated scanner assembly (ISA) on page 695
G3Q60-60001	Fax board (Asia/US) (fax models only; MFP)	Internal components, printer base (1 of 2; MFP)¹ on page 709
G3Q61-60001	Fax board (EU) (fax models only; MFP)	Internal components, printer base (1 of 2; MFP)¹ on page 709
G3Q62-60001	Fax board (Brazil) (fax models only; MFP)	Internal components, printer base (1 of 2; MFP)¹ on page 709
G3Q63-60001	Formatter assembly Ullr2 M129/M134 4in1-fn/fw	Internal components, printer base (1 of 2; MFP)¹ on page 709
G3Q66-60101	Control panel, LED (M134a) (MFP)	Covers (MFP models) on page 701
G3Q67-60101	Control panel, 2-Line LCD (M134fn) (MFP)	Covers (MFP models) on page 701
P6N90-60102	Input tray, document feeder (M134; MFP)	Integrated scanner assembly (ISA) on page 695
RC4-7736-000CN	Link, pressure relief left (except bundle model) (SFP)	Internal components, printer base (2 of 2; SFP)¹ on page 707
RC4-7736-000CN	Link, pressure relief left (except bundle model) (MFP)	Internal components, printer base (2 of 2; MFP)¹ on page 711
RC4-7737-000CN	Link, pressure relief right (except bundle model) (SFP)	Internal components, printer base (2 of 2; SFP)¹ on page 707
RC4-7737-000CN	Link, pressure relief right (except bundle model) (MFP)	Internal components, printer base (2 of 2; MFP)¹ on page 711
RC4-7774-000CN	Link, pressure relief left (bundle model) (SFP)	Internal components, printer base (2 of 2; SFP)¹ on page 707
RC4-7774-000CN	Link, pressure relief left (bundle model) (MFP)	Internal components, printer base (2 of 2; MFP)¹ on page 711
RC4-7775-000CN	Link, pressure relief right (bundle model) (SFP)	Internal components, printer base (2 of 2; SFP)¹ on page 707
RC4-7775-000CN	Link, pressure relief right (bundle model) (MFP)	Internal components, printer base (2 of 2; MFP)¹ on page 711

Table 2-11 Numerical parts list (continued)

Part number	Description	Table and page
RC4-7851-000CN	Holder, Wi-Fi (wireless models; SFP)	Internal components, printer base (1 of 2; SFP)¹ on page 705
RC4-7944-000CN	Tray, multipurpose (SFP)	Covers (SFP models) on page 699
RC4-7947-000CN	Cover, assembly top (SFP)	Covers (SFP models) on page 699
RC4-7949-000CN	Cover, assembly front (SFP)	Covers (SFP models) on page 699
RC4-7952-000CN	Panel, rear (SFP)	Covers (SFP models) on page 699
RC4-7957-000CN	Cover, right (MFP)	Covers (MFP models) on page 701
RC4-7958-000CN	Cover, assembly top (MFP)	Covers (MFP models) on page 701
RC4-7962-000CN	Tray, multipurpose (MFP)	Covers (MFP models) on page 701
RC4-7964-000CN	Panel, rear (MFP)	Covers (MFP models) on page 701
RC4-7965-000CN	Cover, USB (USB/LAN/FAX model) (MFP)	Covers (MFP models) on page 701
RC5-0072-000CN	Cover, USB (USB model) (MFP)	Covers (MFP models) on page 701
RC5-0073-000CN	Cover, USB (USB/LAN model) (MFP)	Covers (MFP models) on page 701
RC5-0436-000CN	Cover, cable (MFP)	Covers (MFP models) on page 701
RC5-0437-000CN	Cap, FAX (USB/LAN/FAX model) (MFP)	Covers (MFP models) on page 701
RC5-0437-000CN	Fax, rubber cap (fax models only; MFP)	Internal components, printer base (1 of 2; MFP)¹ on page 709
RC5-0500-000CN	Holder, Wi-Fi (wireless models only; MFP)	Internal components, printer base (1 of 2; MFP)¹ on page 709
RC5-3313-000CN	Label, name (M102a, base model) (SFP)	Covers (SFP models) on page 699
RC5-3314-000CN	Label, name (M102w, wireless model) (SFP)	Covers (SFP models) on page 699
RC5-3315-000CN	Label, name (M104a, base/EM model) (SFP)	Covers (SFP models) on page 699
RC5-3316-000CN	Label, name (M104w, wireless/EM model) (SFP)	Covers (SFP models) on page 699

Table 2-11 Numerical parts list (continued)

Part number	Description	Table and page
RC5-3317-000CN	Label, name (M106w, wireless/bundle model) (SFP)	Covers (SFP models) on page 699
RC5-3318-000CN	Label, name (M130a, 3in1/base model) (MFP)	Covers (MFP models) on page 701
RC5-3319-000CN	Label, name (M130nw, 3in1/network/wireless model) (MFP)	Covers (MFP models) on page 701
RC5-3320-000CN	Label, name (M132snw, 3in1/network/ADF/EM model) (MFP)	Covers (MFP models) on page 701
RC5-3321-000CN	Label, name (M130fn, 4in1/network model) (MFP)	Covers (MFP models) on page 701
RC5-3322-000CN	Label, name (M130fw, 4in1/wireless model) (MFP)	Covers (MFP models) on page 701
RC5-3323-000CN	Label, name (M132a, 4in1/base/EM model) (MFP)	Covers (MFP models) on page 701
RC5-3324-000CN	Label, name (M132nw, 3in1/network/FB/EM model) (MFP)	Covers (MFP models) on page 701
RC5-3325-000CN	Label, name (M132fn, 4in1/network/EM model) (MFP)	Covers (MFP models) on page 701
RC5-3326-000CN	Label, name (M132fp, 4in1/fax/phone/EM model) (MFP)	Covers (MFP models) on page 701
RC5-3327-000CN	Label, name (M132fw, 4in1/wireless/EM model) (MFP)	Covers (MFP models) on page 701
RC5-3328-000CN	Label, name (M134a, 3in1/ bundle model) (MFP)	Covers (MFP models) on page 701
RC5-3329-000CN	Label, name (M134fn, 4in1/ bundle model) (MFP)	Covers (MFP models) on page 701
RK2-7601-000CN	Solenoid (SFP)	Internal components, printer base (2 of 2; SFP)¹ on page 707
RK2-7601-000CN	Solenoid (MFP)	Internal components, printer base (2 of 2; MFP)¹ on page 711
RK2-8410-000CN	Cable, flat flexible (SFP)	Internal components, printer base (1 of 2; SFP)¹ on page 705
RK2-8410-000CN	Cable, flat flexible (MFP)	Internal components, printer base (1 of 2; MFP)¹ on page 709
RK2-8413-000CN	Cable, flat flexible (SFP)	Internal components, printer base (1 of 2; SFP)¹ on page 705
RK2-8413-000CN	Cable, flat flexible (MFP)	Internal components, printer base (1 of 2; MFP)¹ on page 709

Table 2-11 Numerical parts list (continued)

Part number	Description	Table and page
RK2-8416-000CN	Cable, flat flexible (SFP)	Internal components, printer base (1 of 2; SFP)¹ on page 705
RK2-8419-000CN	Cable, flat flexible (MFP)	Internal components, printer base (1 of 2; MFP)¹ on page 709
RK2-8422-000CN	Cable, flat flexible (except base model) (SFP)	Internal components, printer base (1 of 2; SFP)¹ on page 705
RK2-8425-000CN	Cable, flat flexible (base model) (SFP)	Internal components, printer base (1 of 2; SFP)¹ on page 705
RK2-8440-000CN	Cable, flat flexible (USB/LAN/FAX model) (MFP)	Internal components, printer base (1 of 2; MFP)¹ on page 709
RL1-2593-000CN	Roller, paper pickup (SFP)	Internal components, printer base (2 of 2; SFP)¹ on page 707
RL1-2593-000CN	Roller, paper pickup (MFP)	Internal components, printer base (2 of 2; MFP)¹ on page 711
RL2-1659-000CN	Stopper, back end (MP tray) (SFP)	Covers (SFP models) on page 699
RL2-1659-000CN	Stopper, back end (MP tray) (MFP)	Covers (MFP models) on page 701
RL2-1661-000CN	Button, switch (MFP)	Covers (MFP models) on page 701
RL2-1664-000CN	Button, switch (power) (SFP)	Covers (SFP models) on page 699
RL2-2424-000CN	Cover, left (SFP; HP LaserJet Ultra M106W only)	Covers (SFP models) on page 699
RL2-2425-000CN	Cover, left (MFP)	Covers (MFP models) on page 701
RL2-2426-000CN	Cover, dust (SFP)	Covers (SFP models) on page 699
RL2-2427-000CN	Cover, dust (MFP)	Covers (MFP models) on page 701
RL2-2826-000CN	Cover, left (SFP)	Covers (SFP models) on page 699
RL2-2827-000CN	Cover, right (SFP)	Covers (SFP models) on page 699
RL2-2828-000CN	Cover, right (SFP; HP LaserJet Ultra M106w only)	Covers (SFP models) on page 699
RM2-1182-000CN	Hinge, assembly (MFP)	Covers (MFP models) on page 701

Table 2-11 Numerical parts list (continued)

Part number	Description	Table and page
RM2-1653-000CN	Low-voltage power supply (LVPS) (110-127V) (SFP)	Internal components, printer base (1 of 2; SFP)¹ on page 705
RM2-1654-000CN	Low-voltage power supply (LVPS) (220-240V; except China) (SFP)	Internal components, printer base (1 of 2; SFP)¹ on page 705
RM2-1655-000CN	Low-voltage power supply (LVPS) (220-240V; China) (SFP)	Internal components, printer base (1 of 2; SFP)¹ on page 705
RM2-1656-000CN	Low-voltage power supply (LVPS) (110-127V) (MFP)	Internal components, printer base (1 of 2; MFP)¹ on page 709
RM2-1657-000CN	Low-voltage power supply (LVPS) (220-240V; except China) (MFP)	Internal components, printer base (1 of 2; MFP)¹ on page 709
RM2-1658-000CN	Low-voltage power supply (LVPS) (220-240V; China) (MFP)	Internal components, printer base (1 of 2; MFP)¹ on page 709
RM2-1660-000CN	Roller, transfer (SFP)	Internal components, printer base (2 of 2; SFP)¹ on page 707
RM2-1660-000CN	Roller, transfer (MFP)	Internal components, printer base (2 of 2; MFP)¹ on page 711
RM2-1661-000CN	Transfer assembly (SFP)	Internal components, printer base (2 of 2; SFP)¹ on page 707
RM2-1661-000CN	Transfer assembly (MFP)	Internal components, printer base (2 of 2; MFP)¹ on page 711
RM2-1662-000CN	Laser scanner assembly (SFP)	Internal components, printer base (2 of 2; SFP)¹ on page 707
RM2-1662-000CN	Laser scanner assembly (MFP)	Internal components, printer base (2 of 2; MFP)¹ on page 711
RM2-2076-000CN	Door, cartridge assembly (bundle model) (SFP)	Covers (SFP models) on page 699
RM2-2077-000CN	Control panel assembly (M106w, bundle model) (SFP)	Covers (SFP models) on page 699
RM2-2078-000CN	Door, cartridge assembly (bundle model; MFP)	Covers (MFP models) on page 701
RM2-2193-000CN	Cover, assembly front (bundle model) (MFP)	Covers (MFP models) on page 701
RM2-6947-000CN	Fixing (fuser) assembly (110-120V) (SFP)	Internal components, printer base (2 of 2; SFP)¹ on page 707

Table 2-11 Numerical parts list (continued)

Part number	Description	Table and page
RM2-6947-000CN	Fixing (fuser) assembly (110-120V) (MFP)	Internal components, printer base (2 of 2; MFP)¹ on page 711
RM2-6948-000CN	Fixing (fuser) assembly (220-240V) (SFP)	Internal components, printer base (2 of 2; SFP)¹ on page 707
RM2-6948-000CN	Fixing (fuser) assembly (220-240V) (MFP)	Internal components, printer base (2 of 2; MFP)¹ on page 711
RM2-6957-000CN	Pad, separation assembly (SFP)	Internal components, printer base (2 of 2; SFP)¹ on page 707
RM2-6957-000CN	Pad, separation assembly (MFP)	Internal components, printer base (2 of 2; MFP)¹ on page 711
RM2-6962-000CN	Fixing (fuser) film assembly (110-120V) (SFP)	Internal components, printer base (2 of 2; SFP)¹ on page 707
RM2-6962-000CN	Fixing (fuser) film assembly (110-120V) (MFP)	Internal components, printer base (2 of 2; MFP)¹ on page 711
RM2-6963-000CN	Fixing (fuser) film assembly (220-240V) (SFP)	Internal components, printer base (2 of 2; SFP)¹ on page 707
RM2-6963-000CN	Fixing (fuser) film assembly (220-240V) (MFP)	Internal components, printer base (2 of 2; MFP)¹ on page 711
RM2-6976-000CN	Control panel assembly (M102a, M104a, base model) (SFP)	Covers (SFP models) on page 699
RM2-6977-000CN	Control panel assembly (M102w, M014w) (SFP)	Covers (SFP models) on page 699
RM2-6978-000CN	Door, cartridge assembly (except bundle model) (SFP)	Covers (SFP models) on page 699
RM2-6979-000CN	Door, cartridge assembly (except bundle model; MFP)	Covers (MFP models) on page 701
RM2-6995-000CN	Cover, assembly front (except bundle model) (MFP)	Covers (MFP models) on page 701
RM2-8234-000CN	Engine control unit (ECU) PCA (except bundle model) (SFP)	Internal components, printer base (1 of 2; SFP)¹ on page 705
RM2-8234-000CN	Engine control unit (ECU) PCA (except bundle model) (MFP)	Internal components, printer base (1 of 2; MFP)¹ on page 709
RM2-8237-000CN	Engine control unit (ECU) PCA (bundle model) (SFP)	Internal components, printer base (1 of 2; SFP)¹ on page 705

Table 2-11 Numerical parts list (continued)

Part number	Description	Table and page
RM2-8237-000CN	Engine control unit (ECU) PCA (bundle model) (MFP)	Internal components, printer base (1 of 2; MFP)¹ on page 709
RM2-8251-000CN	Motor PCA (SFP)	Internal components, printer base (2 of 2; SFP)¹ on page 707
RM2-8251-000CN	Motor PCA (MFP)	Internal components, printer base (2 of 2; MFP)¹ on page 711
RM2-8273-000CN	Switch, power PCA (SFP)	Internal components, printer base (1 of 2; SFP)¹ on page 705
RM2-8276-000CN	Sensor, environmental PCA (SFP)	Internal components, printer base (2 of 2; SFP)¹ on page 707
RM2-8276-000CN	Sensor, environmental PCA (MFP)	Internal components, printer base (2 of 2; MFP)¹ on page 711
RM2-8277-000CN	Paper pickup sensor PCA assembly (SFP)	Internal components, printer base (2 of 2; SFP)¹ on page 707
RM2-8277-000CN	Paper pickup sensor PCA assembly (MFP)	Internal components, printer base (2 of 2; MFP)¹ on page 711
RM2-8278-000CN	Sensor, delivery PCA (SFP)	Internal components, printer base (2 of 2; SFP)¹ on page 707
RM2-8278-000CN	Sensor, delivery PCA (MFP)	Internal components, printer base (2 of 2; MFP)¹ on page 711
RU5-8841-000CN	Label, attention (SFP)	Internal components, printer base (2 of 2; SFP)¹ on page 707
RU5-8841-000CN	Label, attention (MFP)	Internal components, printer base (2 of 2; MFP)¹ on page 711

